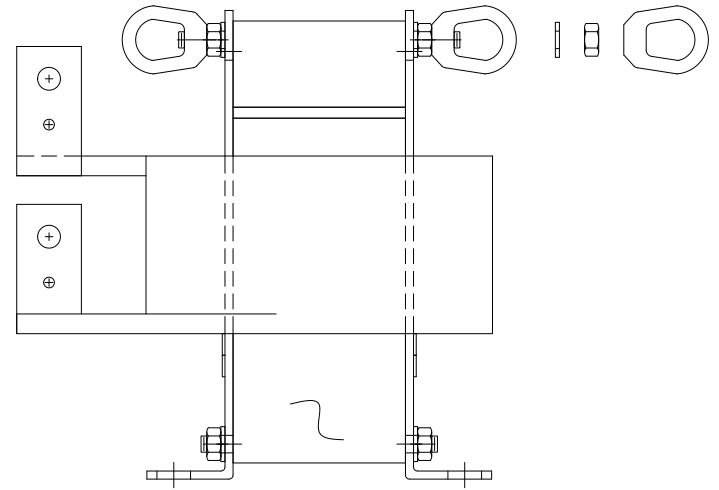
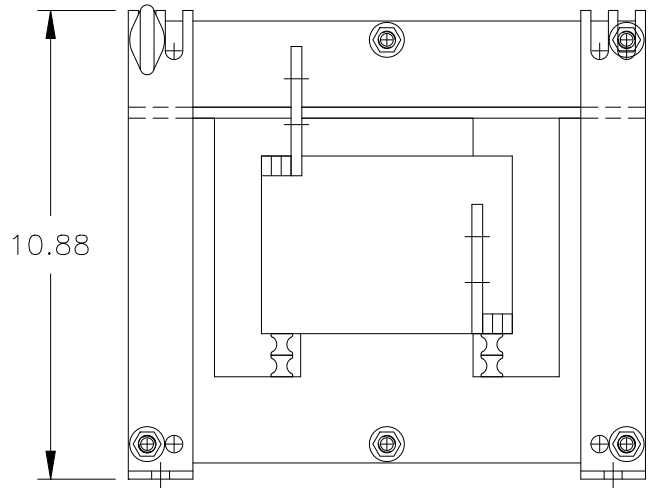
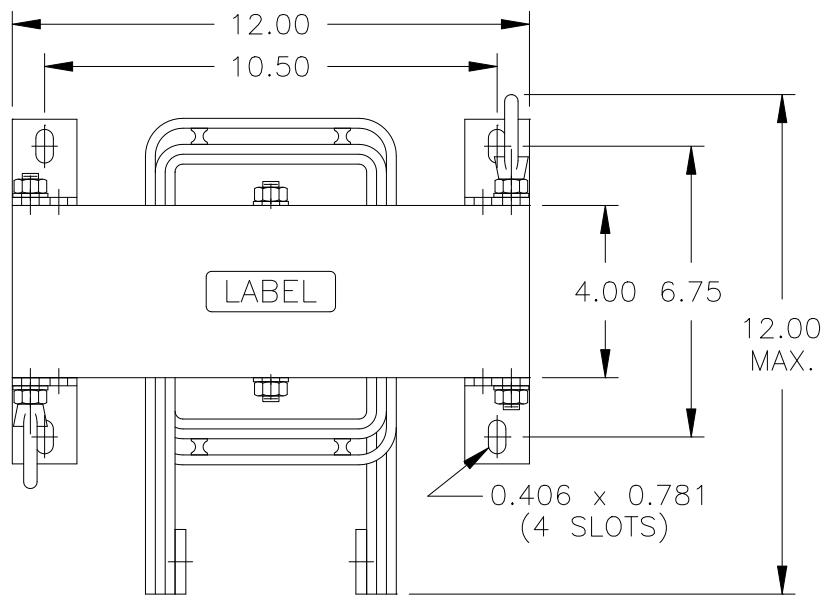


FILE: J:\ENG\PROD\REV\AD-450RB002

NO.	CHANGE DESCRIPTION	BY	DATE	C'K'D
-----	--------------------	----	------	-------



UNLESS OTHERWISE SPECIFIED, DIMENSIONS ARE IN INCHES [mm] AND TOLERANCES ARE:

DECI. ± 0.030 [.76] FRAC. $\pm 1/8"$ [3.18]

ANGLES $\pm 1^\circ$ DRILLED HOLES ± 0.010 [.25]

PART NAME:	DC LINK CHOKE
DESCRIPTION:	ASSEMBLY
FINISH:	SPSDOC EF1FIN1 & SPF003

MTE CORPORATION MENOMONEE FALLS, WISCONSIN			
450RB002			REV. 00
SCALE	NTS	DATE	04/18/05
REF.	DR. BY	KPH	APP'D